

1

2

3

4

A

A

B

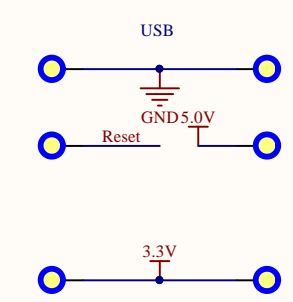
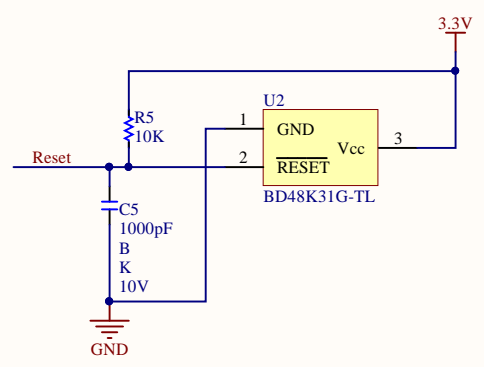
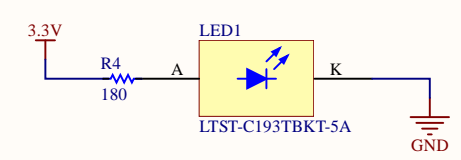
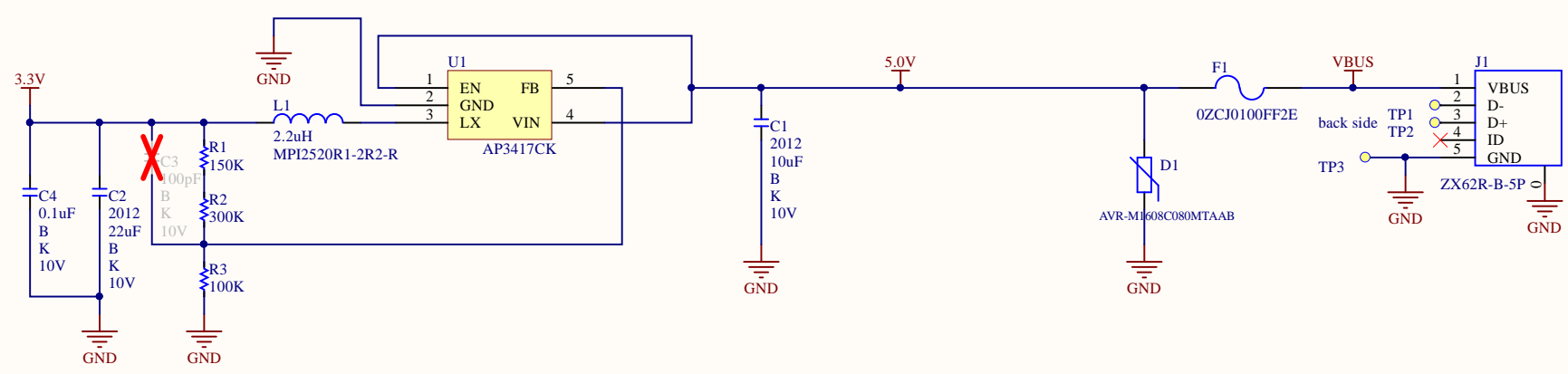
B

C


C

D

D



Title:	M008
Revision:	3
Sheet:	1 of 1



1

2

3

4